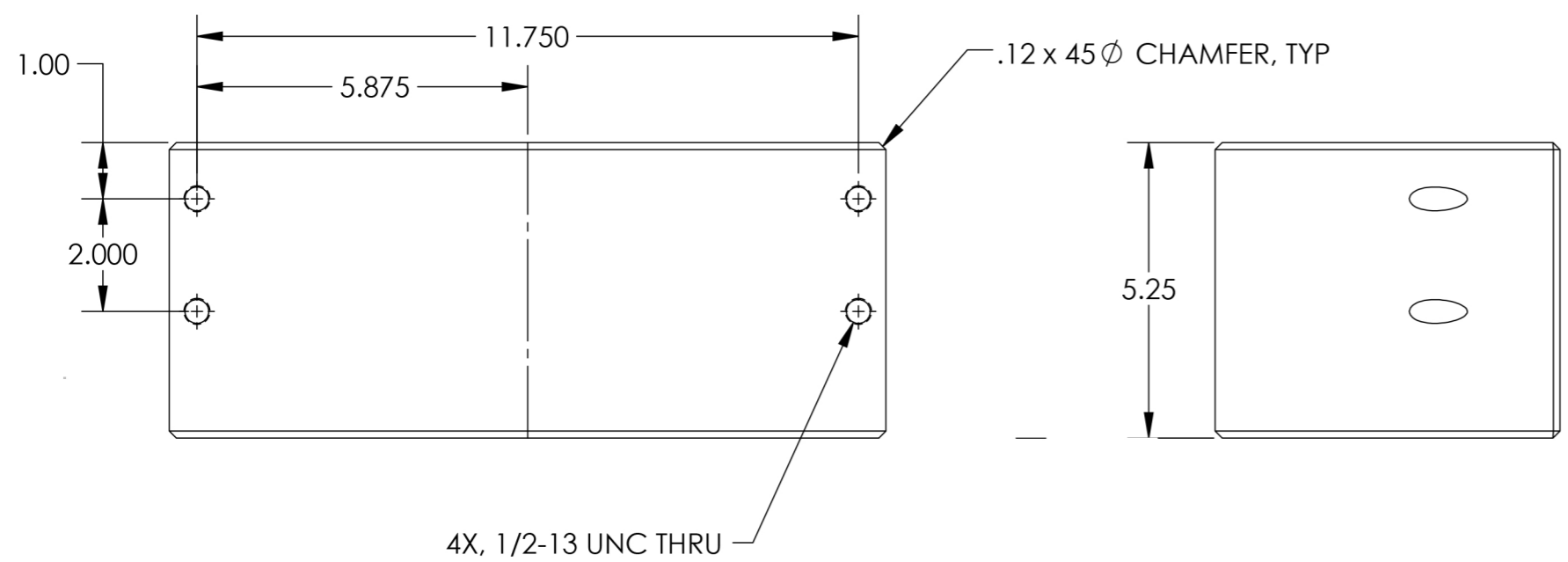
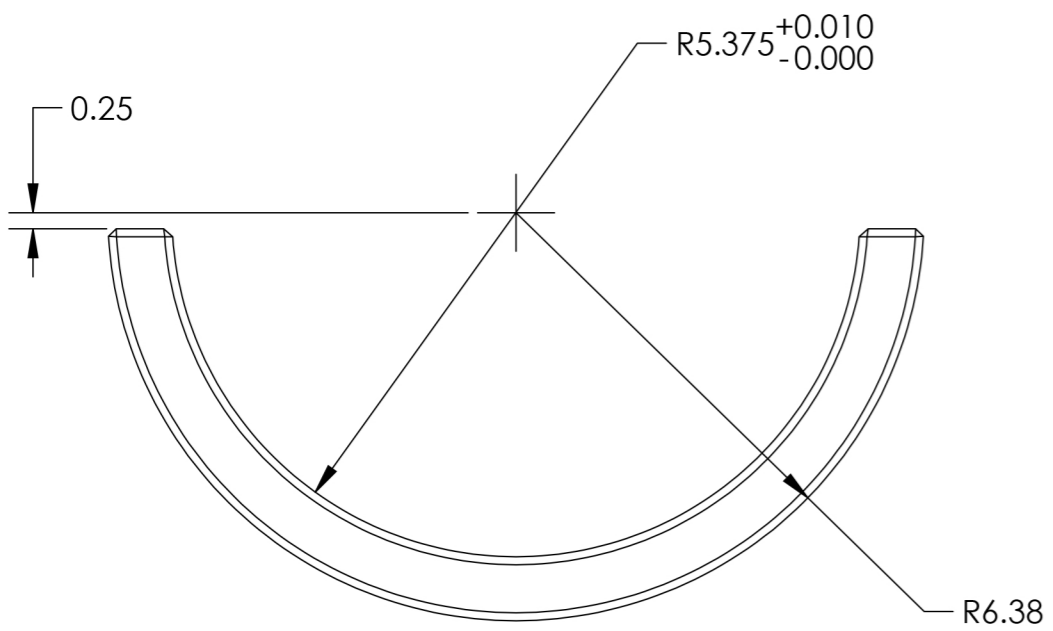
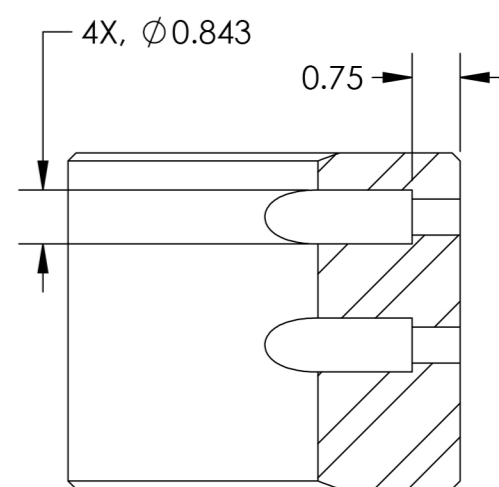
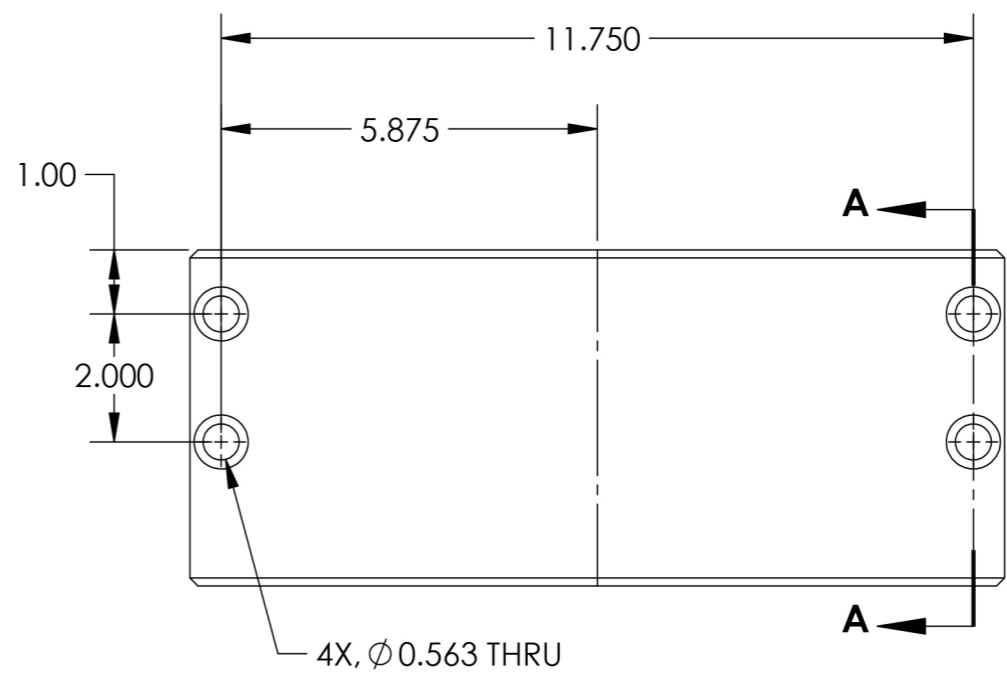


ITEM NO.	QTY.	PART NUMBER	DESCRIPTION
1	2	ULT-C-10-01	DYNAMIC ISOLATOR, END RING, FOR 10" PIPE, STEEL
2	2	ULT-C-10-02	DYNAMIC ISOLATOR, END RING, FOR 10" PIPE, STEEL
3	8	90128A722	1/2-13 x 2.50 LG. SHCS
4	1	Pipe_REF	REF- INSTALL ON 10" PIPE

REVISIONS			
REV.	DESCRIPTION	DATE	APPROVED
01	INITIAL RELEASE	06-13-16	



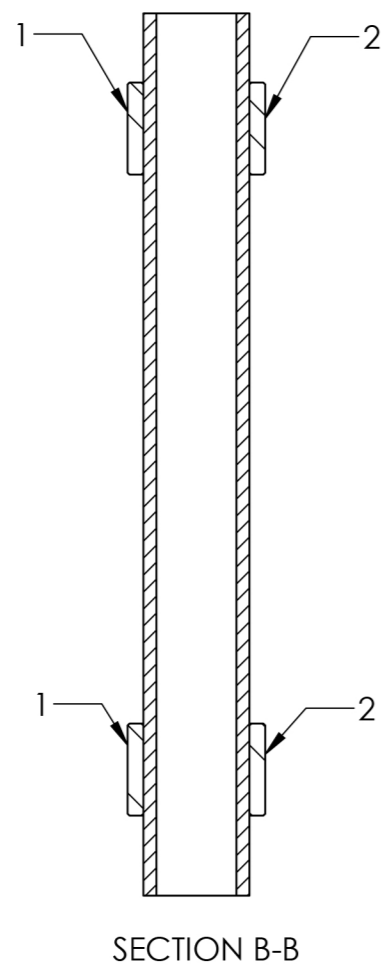
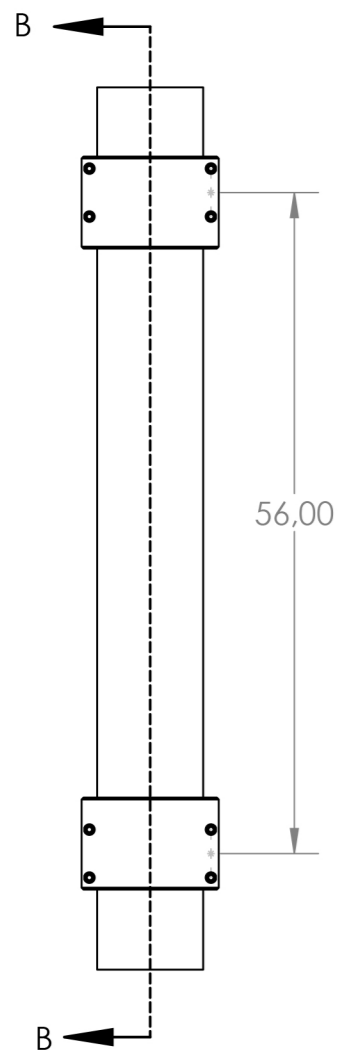
ULT-C-10-01



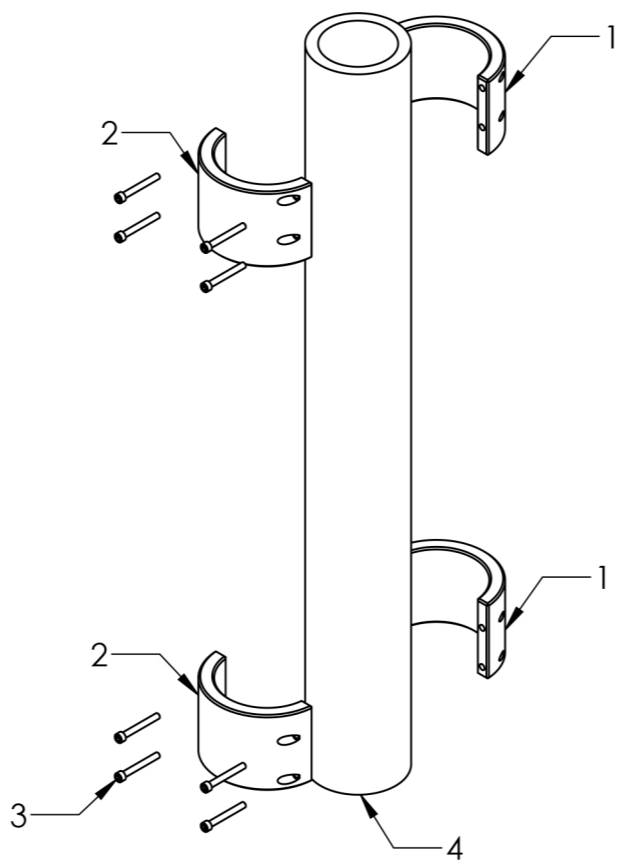
SECTION A-A

ULT-C-10-02

DIMENSIONALLY THE SAME AS -01 EXCEPT HOLES ARE DIFFERENT AS NOTED



SECTION B-B



NOTES:

- MATERIAL: MAKE FROM 12" SCH. 120 PIPE.
- DEBURR SHARP EDGES.

TOLERANCING DIMENSIONS ARE IN INCHES UNLESS OTHERWISE SPECIFIED. X.X: +/- 0.020 X.XX: +/- 0.01 X.XXX: +/- 0.005 Fractional: +/- 1/32 Angular: +/- 30'		TITLE DYNAMIC ISOLATOR, END RING, FOR 10" PIPE	
SIZE C	DRAWING #: ULT-C-10-XX	REV 01	
PROPRIETARY AND CONFIDENTIAL THIS DRAWING, AND ALL ASSOCIATIVE MODEL FILES, ARE THE SOLE PROPERTY OF ULTIMO MEASUREMENT. ANY REPRODUCTION IN PART OR AS WHOLE WITHOUT THE WRITTEN PERMISSION OF ULTIMO IS PROHIBITED		Material: See Notes	Finish:
SCALE 1:3	DWN BD	CHKD APVD	DATE 06-13-16

160 Suddard Lane - Scituate, RI 02857
Ph: 401-647-9135 - Fx: 401-633-6087